

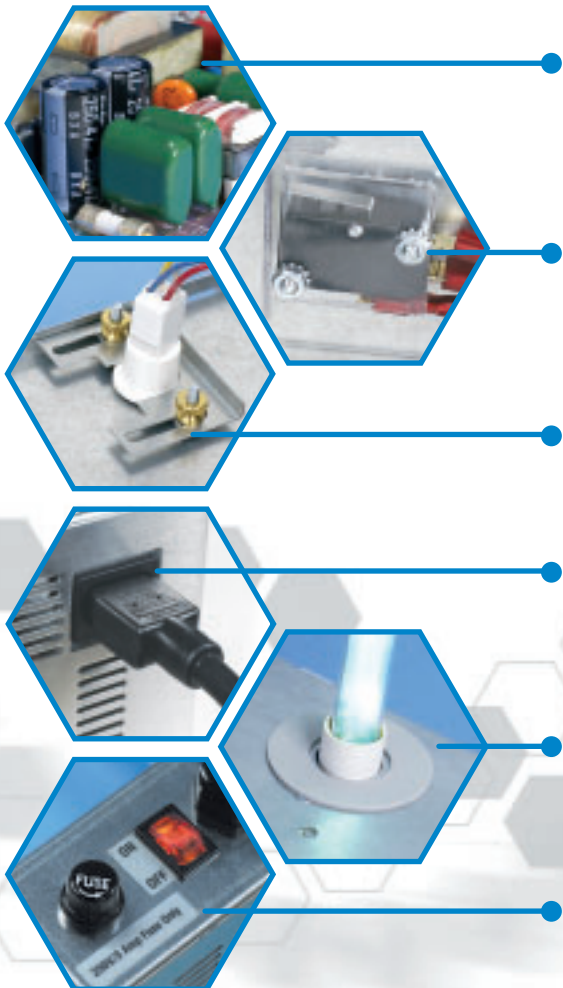
# BIO-FIGHTER® TRIAD FlexMount

## Features

- Fixed and/or Remote lamps
- Multi-Voltage electronic ballast
- Quick-release lamp retention system
- Durable Stainless Steel cover
- 6-ft lamp cables
- On/Off switch and external fuse
- Air seal gasketing
- ETL safety agency listing to UL 1598
- Limited lifetime warranty



Safety, power, and quick installation have always been the hallmark of the Bio-Fighter® Triad. Now, the Triad FlexMount adds flexibility to that list by giving the Triad a remote-mount capability. The Triad FlexMount can be configured as single fixed lamp, single remote lamp, fixed lamp plus remote lamp, or dual remote lamp. And all configurations use the same size chassis. Add to that a multi-voltage electronic ballast and you have a system flexible enough to handle any residential application.



Smart ballast technology senses the input voltage and automatically adjusts for 120V to 240V power.

Cover interlock prevents unit operation while cover is removed.

User friendly slide-clip lamp retention system makes lamp replacement easier.

Safety-minded cover design requires power cord to be disconnected before removing the cover for maintenance.

Duct gasketing prevents air leaks at the point of lamp insertion.

External fuse and lighted On/Off switch for easy and safe operation of the Bio-Fighter®.



# BIO-FIGHTER® TRIAD FlexMount Germicidal UV System

## Specifications

The Bio-Fighter® Triad FlexMount assists in preventing the growth of microorganism contaminants in the HVAC system. To ensure maximum effectiveness, install and maintain the Bio-Fighter® in accordance with installation and maintenance instructions.

**Dimensions:** See Fig.1

**Weight:**  
Approx. 4.5 lbs.

**Electrical:**  
The Bio-Fighter® Triad FlexMount uses a multi-input voltage electronic ballast able to operate within a range of 120 to 240 volts. The unit uses a detachable 6 foot power cord.

Power Ratings: 120V - 240V. 50/60 Hz.

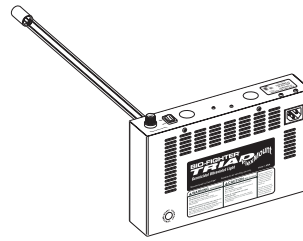
Full Load Amps: 0.94A @ 120V.

**Temperature:**  
45°F - 150°F (Outside of duct).

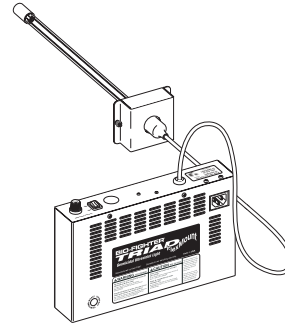
**Lamp:**  
9000 hour lamp life. Ozone-producing lamps available as an option.

**Listings:**  
ETL Safety Agency - File # 2002554  
FIFRA - File #73316 (Federal Insecticide Fungicide Rodenticide Act)

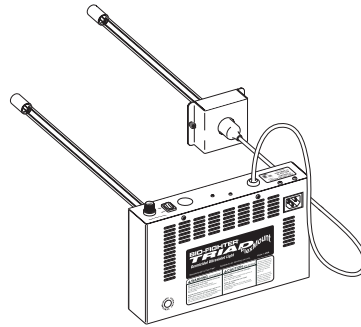
**Installation:**  
The Triad FlexMount can be mounted anywhere in the HVAC system or ductwork. The preferred installation location is near the cooling coil where mold infestation is most likely.



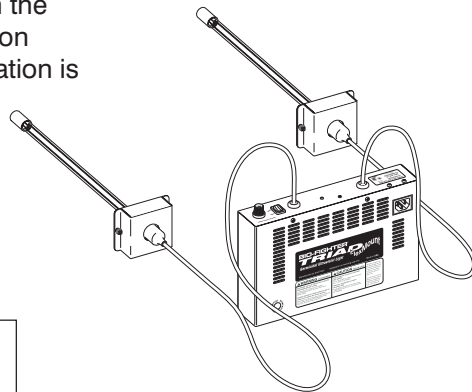
**FlexMount Single Lamp**  
Comes standard in a fixed lamp configuration.



Add a remote lamp kit and the **FlexMount Single Lamp** becomes a remote mount unit.

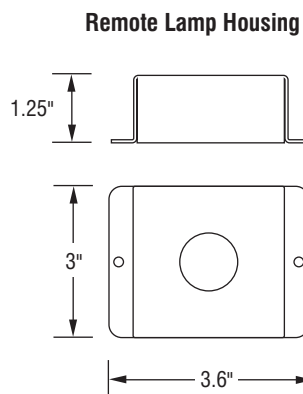
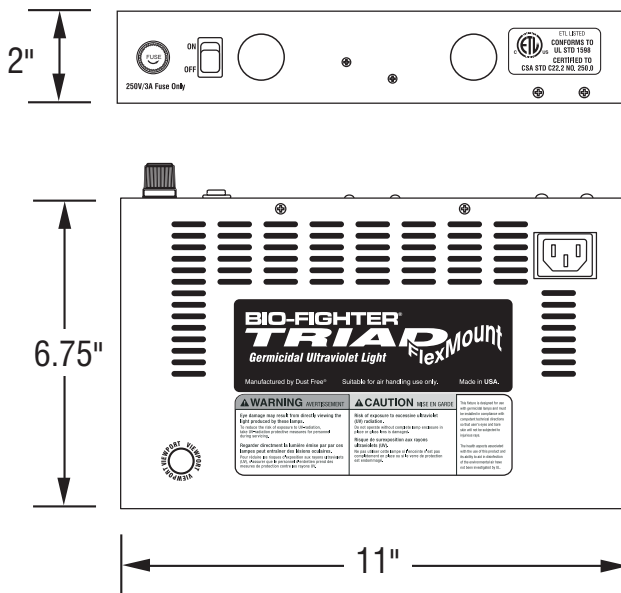


**FlexMount Dual Lamp**  
Comes standard in a fixed lamp plus remote lamp configuration.



Add a remote lamp kit and the **FlexMount Dual Lamp** becomes a dual remote mount unit.

Fig. 1 Dimensions of Triad FlexMount.



**DUST FREE®**  
Breathe The Difference.

PO Box 519 • Royse City, TX 75189  
1-800-441-1107  
Http://www.dustfree.com