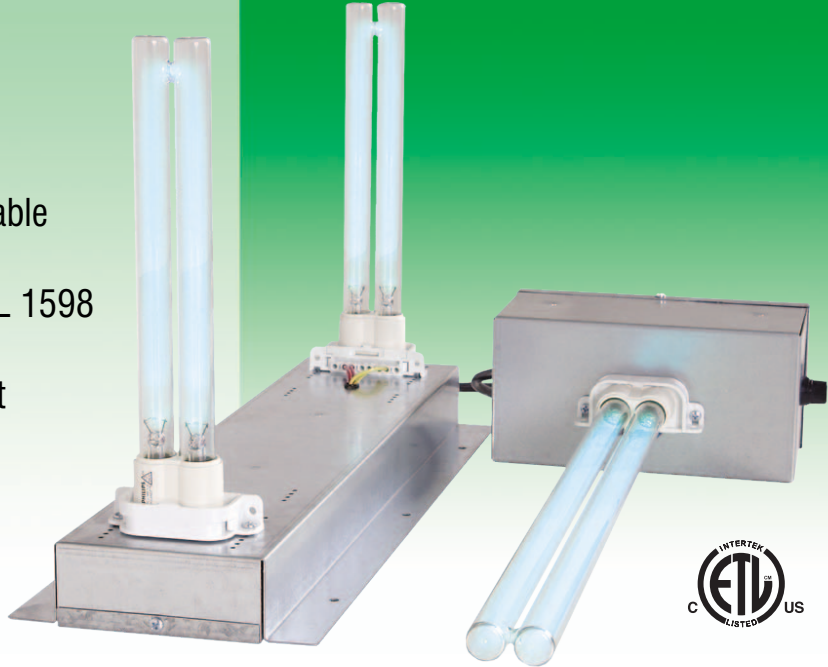


BIO-FIGHTER® NOMAD & NOMAD2

Features

- All-in-One chassis design
- High-output germicidal lamps
- Ozone/germicidal lamps available
- Multiple installation options
- ETL safety agency listing to UL 1598
- AHU viewing port
- Multi-voltage electronic ballast
- Remote safety interlock (optional)
- External Fuse
- Limited lifetime warranty



Surface mounted UV-C applications demand installation flexibility and the Bio-Fighter® Nomad delivers one of the most flexible chassis designs available. The multi-input voltage power supply, providing the installer a range of 120V to 240V, coupled with the Nomad's innovative chassis / bracket feature allow the Nomad to be installed virtually anywhere, in or on your residential HVAC system. An optional remote safety interlock ensures power disconnect for internally mounted fixtures and the safety system is also compatible for insert mount applications as well.



H-tube lamp design provides high intensity UV-C output in a compact package.

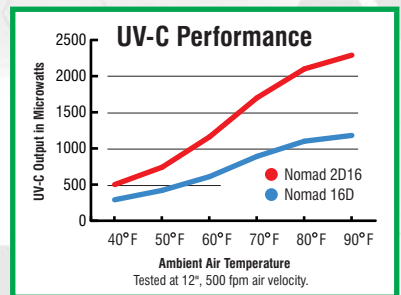
Installation brackets allow the Nomad to be installed in parallel, perpendicular, or insert mount configurations.

Smart ballast technology senses input voltage and automatically adjusts for 120V or 240V power.

User friendly lamp holders makes lamp replacement easier than ever.

An air handler viewport is included. Making it easy to monitor lamp operation in every application.

Remote safety interlock installs on a nearby air handler access panel or door and prevents Bio-Fighter® operation when air handler is being serviced.



BIO-FIGHTER® NOMAD & NOMAD2 Specifications

Germicidal Ultraviolet Light

The Bio-Fighter® Nomad assists in preventing the growth of micro-organism contaminants in the HVAC system. To ensure maximum effectiveness, install and maintain the Bio-Fighter® in accordance with installation and maintenance instructions.

Dimensions: See Fig.1

Weight:

Nomad - 3.75 lbs. Nomad 2 - 5.5 lbs.

Listings:

ETL Safety Agency - File #2002554

FIFRA - File #73316

(Federal Insecticide Fungicide Rodenticide Act)

Electrical:

The Bio-Fighter® Nomad uses a multi-input voltage electronic ballast able to operate within a range of 120 to 240 volts. The unit uses a 3-prong, 6 foot power cord.

Power Ratings: 120V or 240V. 50/60 Hz.

Full Load Amps: Nomad - .85 Amps@120V. Nomad 2 - 1.7 Amps@120V.

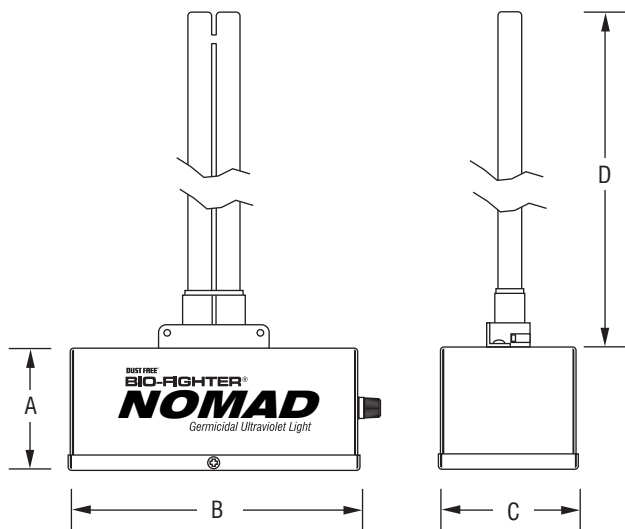
Temperature:

45° F - 150° F (Outside of duct).

Lamp:

9000 hour lamp life. Ozone-producing lamps available as an option.

Fig. 1 Dimensions of single and dual bulb Nomads.

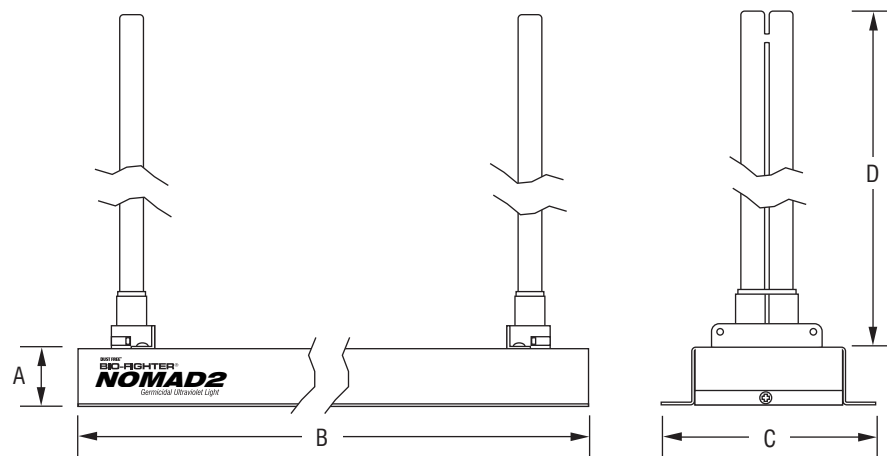


UV-C Output ($\mu\text{w}/\text{cm}^2$):	
Nomad 9D	155
Nomad 16D	420
Nomad 2D9	280
Nomad 2D16	740

Tested at 50° F, 12", 500FPM air velocity.

Sizing

Single and dual lamp models available. For optimum results and maximum UV-C output, dual lamp units are recommended for A-coil and return air applications.



PO Box 519 • Royse City, TX 75189

1-800-441-1107

Http://www.dustfree.com

NOMAD	DIM. A	DIM. B	DIM. C	DIM. D
9D	3.125"	7"	3.5"	9"
16D	3.125"	7"	3.5"	16"
2D9	1.5"	17"	5.93"	9"
2D16	1.5"	17"	5.93"	16"