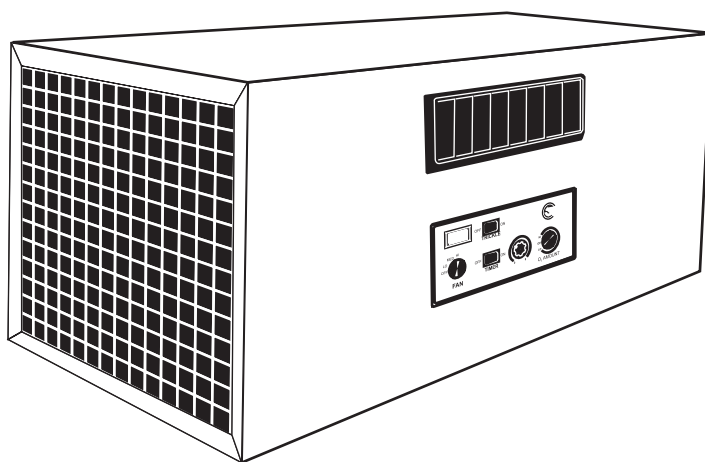


Save This Manual For
Future Reference

***Installation
and
Service
Manual***

**Read ALL
INSTRUCTIONS
carefully.**



 **DUST FREE[®]**
AIR CLEANERS

Series 375

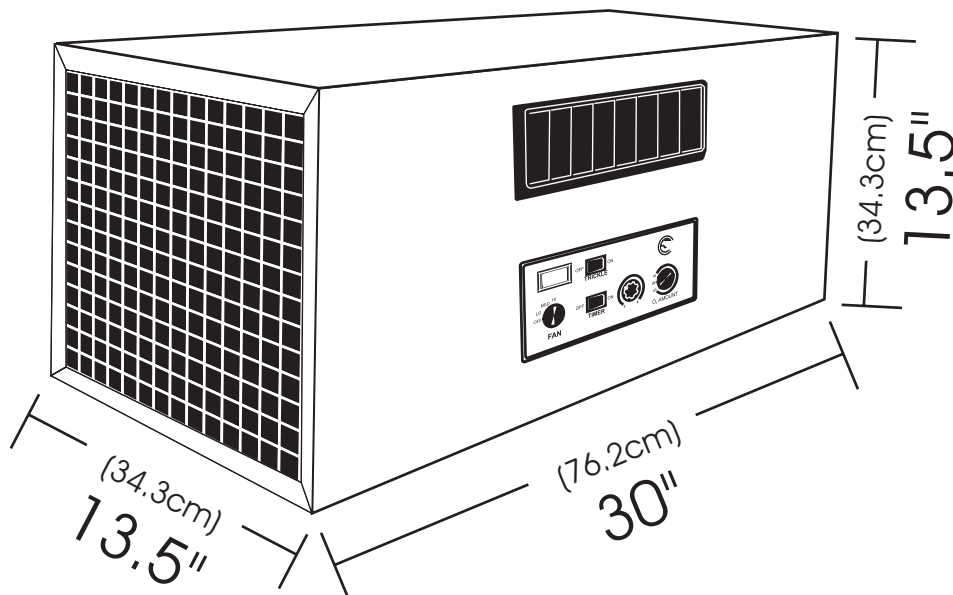
The Series 375 is designed to rid the air of airborne pollutants such as smoke, dust, pollen, bacteria, etc., including gases and odors from occupied spaces such as hotel rooms, offices and dens. Equipped with wall mounting brackets, the unit can be hung above the entry door of hotel/motel rooms or on the center of and against the ceiling of any wall. Multiple units can be installed in spaces exceeding 450 sq. ft., 8-10 ft. ceilings.

The 375's "out of the way" installation does not interfere with floor space as does other room air purifiers. It's nearly inaudible sound level and controlled direction air discharge louvers prevent discomfort and annoyance to occupants. The air from the 375 is taken from the room and recirculated into the room complementing the efforts of the heating and cooling system. The 375's clean air pattern replicates the air pattern of ceiling fans.

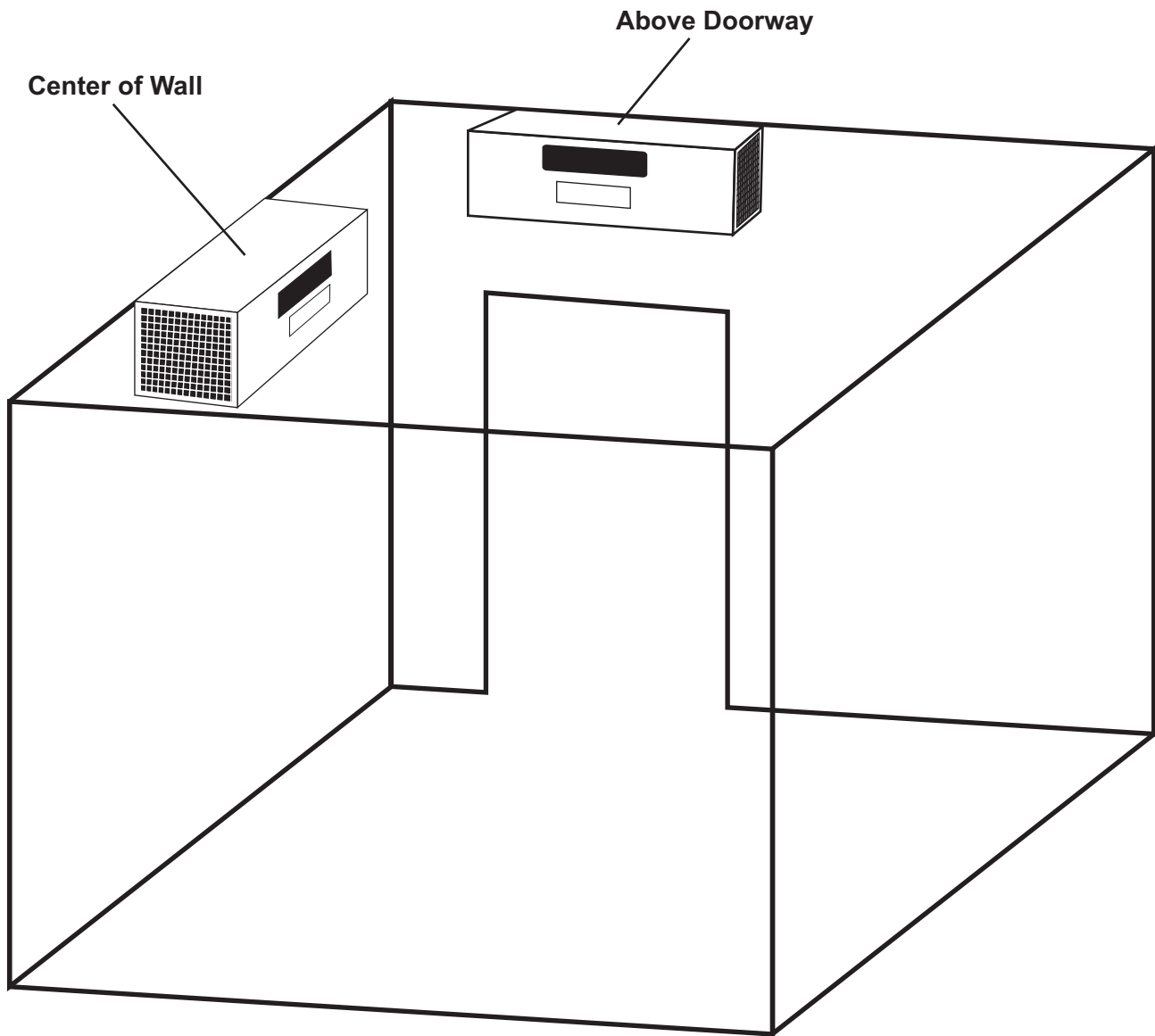
SPECIFICATIONS

Series 375 Specifications

- Dimensions:** 30"L x 13.5"W x 13.5"H
(76.2 x 34.3 x 34.3 cm)
- Weight:** 49 lbs. (22.2 kg) Installed
56 lbs. (25.4 kg) Shipping
- Motor:** 3 speed 1/20 HP
- Electrical:** 100/120 VAC, 50/60 HZ, 1.9 AMPS (2.3 AMPS with ozone)
- Net Airflow:** HI 330, MED. 260, LO 170 CFM



The Dust Free® 375 air cleaners should be mounted to the wall studs in the center of the shortest wall of the room or above a doorway. Position units as shown in the following illustration. Unit top should be placed against the ceiling. If you need additional installation advise contact the distributor/dealer from whom you purchased the equipment. Call the factory if the distributor/dealer is not available.



UNPACKING

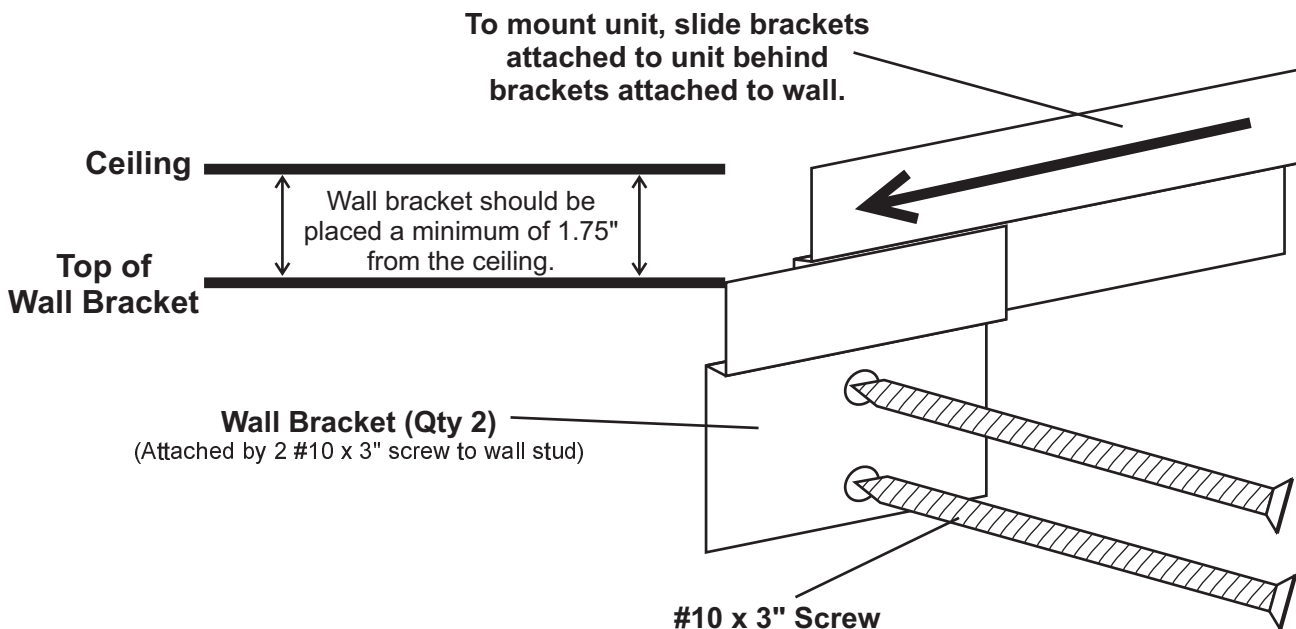
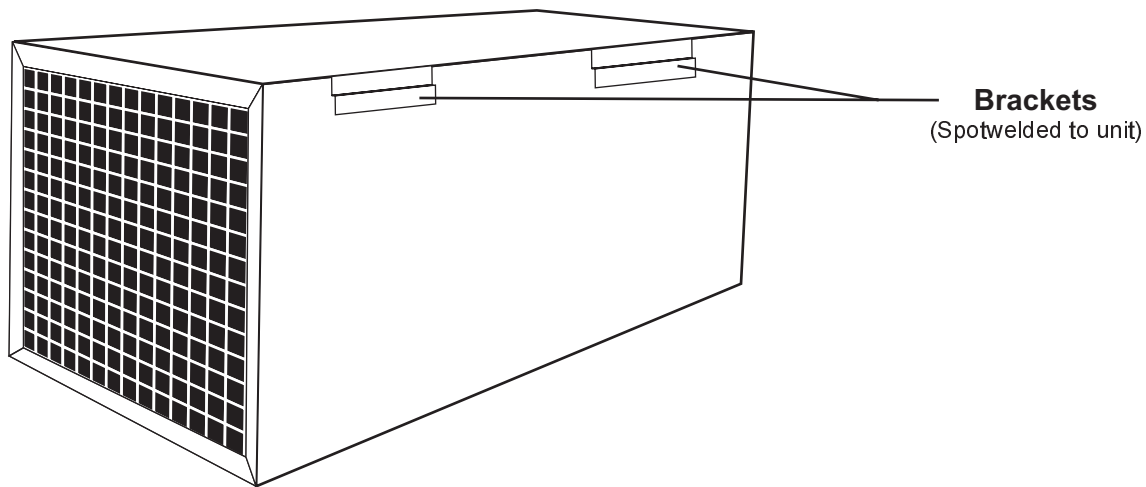
Upon receipt, immediately inspect the carton for damage during transit. Signs of rough handling may indicate internal damage in the air cleaner. Carefully unpack the unit and examine it for concealed shipping damage. If the unit is damaged, contact the carrier to file a claim.

PREPARATION

Carefully read the entire manual before starting installation. A standard three wire outlet with a 115 volt, 15 amp service should be located close enough to the installed air cleaner so that the power cord can be routed to it.

MOUNTING

Use 2 #10 x 3" screws in each of the wall brackets and screw each bracket to a wall stud. Position the unit so that unit mounting brackets are to left or right of wall brackets and the unit is against the ceiling. Slide unit left or right onto the wall brackets.



ACCESSING FILTERS

Shut off the power to the unit before servicing. Slide the filter retainer grille toward the front or back of the unit and remove.

Note: Remove the bottom grille carefully, the filters and carbon trays may tend to fall out with the removal of the bottom grille.

Set the grille aside and grasp the filter media and remove all layers of filter media that require replacement.

PRE-FILTER

This black, carbon impregnated filter should be replaced each 30 to 90 days, when a noticeable lint covering is present. This filter may be vacuum cleaned and reused only one time. **DO NOT** wash this filter.

Insert new filter making sure that it lays flat and fills all corners of the housing. Reinstall the grille.

PRIMARY FILTERS

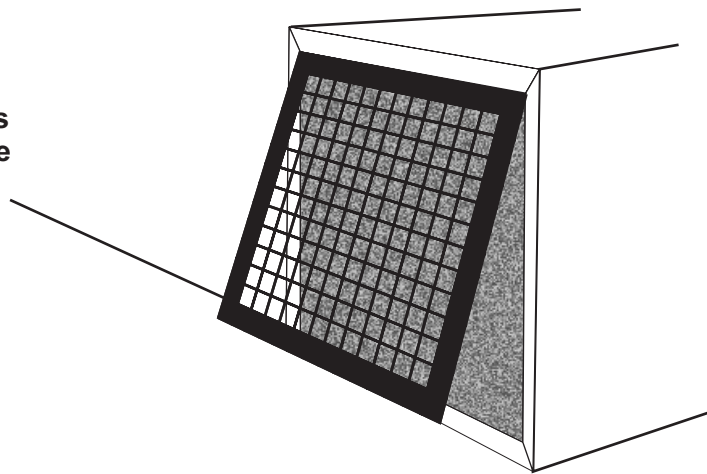
The yellow and white primary filters will begin to discolor during use. If you must service the prefilter each 30 days, (high dirt load) replace the primary filter each 8 months. If you service the prefilter each 90 days, replace the primary each 18 months. Install the primary filter with the white filter facing the inside of the unit and the charcoal trays. This means that the white filter goes in first, the yellow filter second, and the black prefilter last.

FINAL FILTER

The odor/gas control carbon panels are normally replaced when the primary filters are replaced. This is especially true if smoking occurs where the unit is operating. If, however, there is no odor emitting from the clean air discharge grille while the unit is operated at low speed, do not change the charcoal panels.

The charcoal panels are removed and installed by sliding them toward the back of the unit and permitting them to tilt out of their frame. Install new panels using the reverse procedure from their removal.

Push grille upwards and pull bottom of grille outwards to remove from unit. Reverse process to replace grille.



Part No.	Description
04310	Charcoal Impregnated Prefilter, 3 sets per bag
04311	Borosil and Electro-Fiber Primary, 1 set per box
04312	Charcoal Panels, 1 set per box
04313	Permanganate Panels, 1 set per box
04314	50% Permanganate, 50% Charcoal, 1 set per box
750-0023-001	Blower, Motor only, 3-speed, 120 VAC
750-0022-001	3 Speed Switch
4750005001	Ozone Generator Grid (1)

