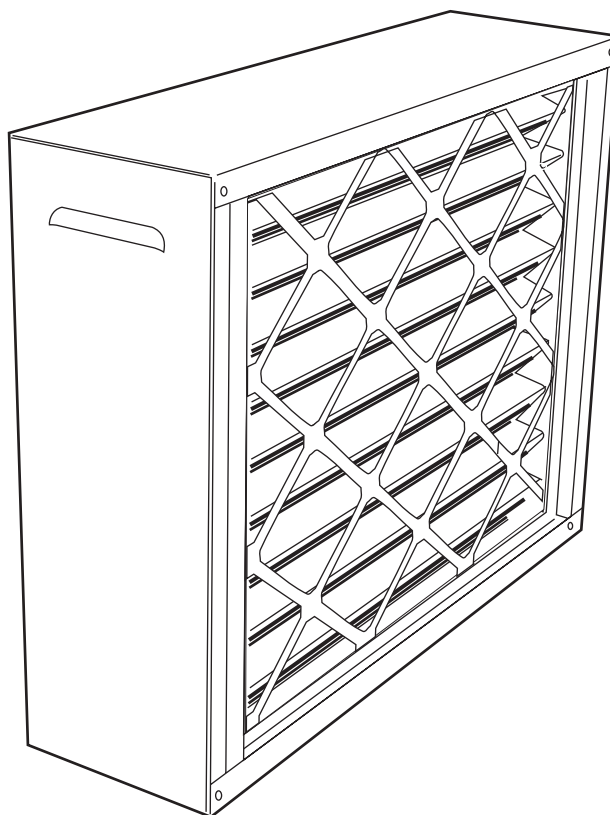


Save This Manual For
Future Reference

***Installation
and
Service
Manual***

Read ALL
INSTRUCTIONS
carefully.

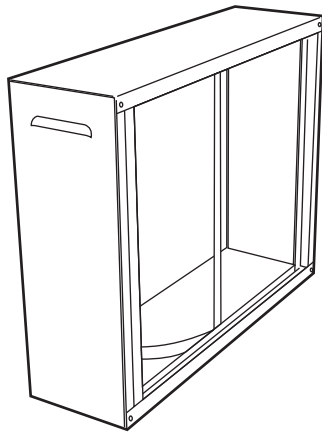


Customizer™ 2
AIR CLEANER

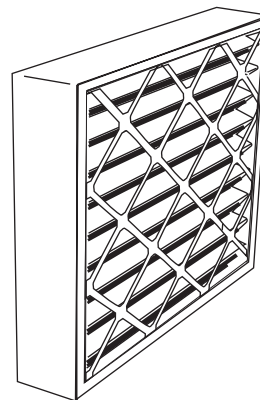
The Customizer 2 air cleaner is designed to dramatically improve the cleanliness of air that passes through residential and commercial heating and cooling systems. The high efficiency disposable filter with its extended surface will remove up to 99% of particles 1 micron and larger. The unique filter fiber allows the air to easily pass through the filter reducing initial resistance. In a typical residential application the high efficiency disposable filter may last six months or longer.

The cabinet is engineered to allow easy retrofit or initial installation into the return air duct of either vertical or horizontal air flows. The Customizer 2 frame is strong enough to support the weight of up draft systems and it is equipped with a unique filter positioning retainer. The filter is always pressed against the downstream filter seal frame, regardless of the position. The service door is sealed and retained with a magnetic strip.

The Customizer 2 includes:



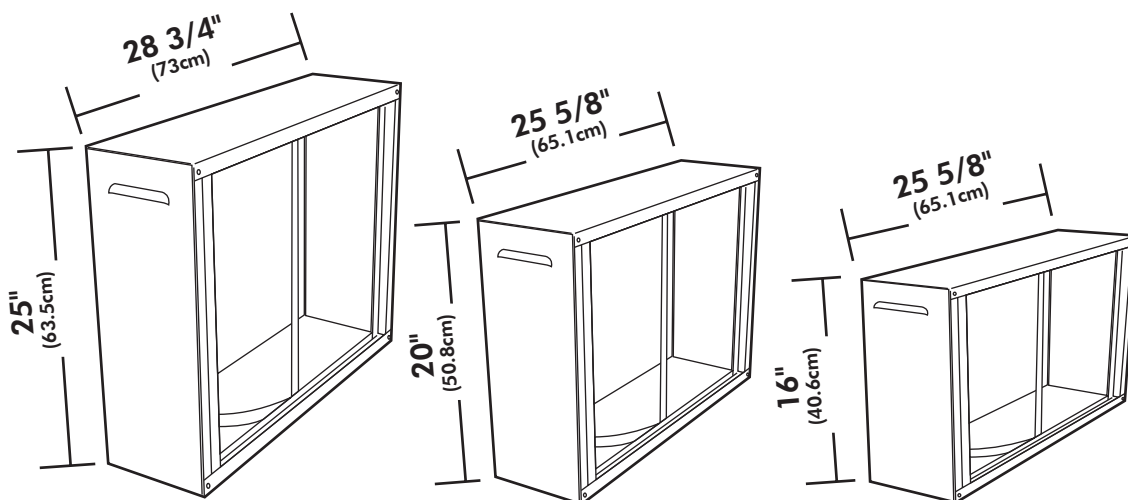
Customizer 2



4" Pleated Filter

SPECIFICATIONS

Customizer 2 Specifications

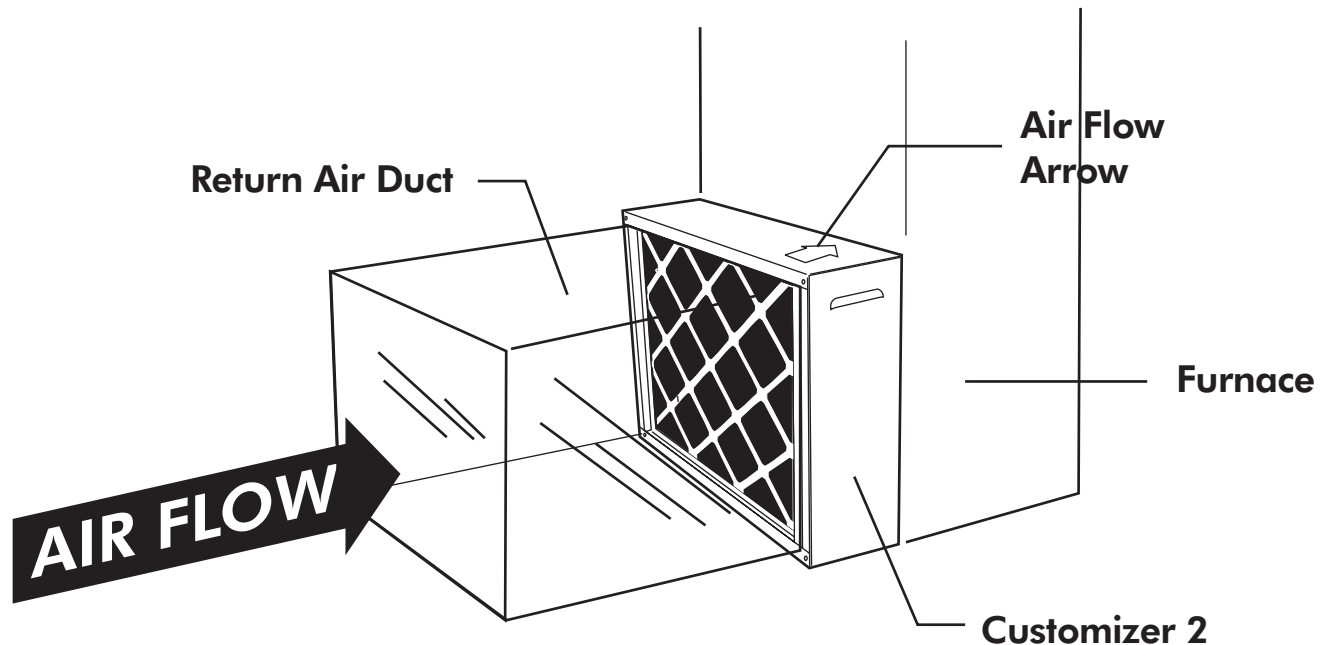


All models are 7 1/4"(18.5cm) wide and have a 1.5"(3.8cm) inward turned flat flange for duct connection.

CUSTOMIZER 2 CABINET INSTALLATION

1. Remove the filter from the Customizer 2 cabinet.
2. Locate the cabinet so that the flanged side of the cabinet is on the inlet side of the air flow. The cabinet can be installed horizontal right or left, vertical up or down, or at an angle. **Note:** The cabinet must be installed such that the unique filtration locking device forces the filters to seal against the downstream side of the air flow. The access door may be inverted to meet location requirements.
3. After ductwork has been secured, seal duct seams with duct tape or appropriate ductwork sealant.
4. Reinstall filter and access door.

CUSTOMIZER 2 LAYOUT DIAGRAM (HORIZONTAL APPLICATION)



The filter in your Customizer 2 should be replaced at regular intervals. The filter should be replaced when there is a noticeable lint build-up on the filter surface, usually 6 to 12 months.

1. Open the access door by grasping the handle and pulling firmly towards you.
2. Pull the dirty filter straight toward you until it is removed from the unit. Discard appropriately.
3. Slide the new filter into the Customizer 2 with the air flow arrows pointing in the direction of the air flow. An air flow label is located on top of the Customizer 2 cabinet.
4. Replace the access door.



The filter in the Customizer 2 is disposable and must be replaced periodically to maintain the high efficiency of the system. Contact your dealer for replacement filters.



The Customizer 2 is equipped with the patented “Media Lok” system, that creates an airtight seal. This feature eliminates the risk of system contamination due to filter “blow by”, and also holds the filter in a secure position for maximum efficiency.

Part No.	Description
04159	Customizer 2 Replacement Pleated Filter 16"x25"x4"(Case of 6)
04160	Customizer 2 Replacement Pleated Filter 20"x25"x4"(Case of 6)
04161	Customizer 2 Replacement Pleated Filter 25"x28"x4"(Case of 6)

LIMITED WARRANTY

ERAMCO, Inc. warrants the Customizer 2 cabinet to be free from defect in material and workmanship for the life of the initial installation. If necessary ERAMCO will repair or exchange at their option, for the original purchaser, F.O.B. factory, any unit which is defective in material or workmanship.

Conditions

This warranty shall not apply to filter media, any equipment which has been subject to abuse, misuse, negligence, unusual operating conditions, accident or careless handling, improper installation or repairs, or which has had the serial number effaced or removed. To file a warranty claim, contact the installing HVAC contractor. ERAMCO is not responsible for expenses incurred in the removal or shipping of the Customizer 2 for warranty repairs.

Instructions

Fill out warranty information and mail to:

**ERAMCO
PO Box 519
Royse City, TX 75189**

**WARRANTY FOR CUSTOMIZER™ 2**

Date of Installation: _____ **Serial Number:** _____

Name: _____

Address: _____

City: _____ **State:** _____ **Zip:** _____